

# NX L44-A

## ACTIVE TWO-WAY ARRAY



### DESCRIPTION

With the NX L44-A, RCF has provided a unique and powerful two-way line source, with the sound delivered from three 10" neodymium woofers and a 1.4" driver with 3" voice coil on a asymmetrical waveguide. All are perfectly tuned to deliver remarkably uniform coverage and an extended frequency range. Precision controlled by an on-board DSP and driven by a two-channel digital amp, the NX L44-A delivers very natural sounding response and high SPL for professional live sound reinforcement. The horn's design is asymmetrical so it projects sound energy with great accuracy, thereby avoiding undesired reflections. The enclosure always remains vertical - it does not have to be tilted or aimed in any way that would adversely affect its stability.

### MAIN APPLICATIONS

- Portable PA
- Live sound
- Performance venues
- Houses of worship
- Rental
- Live Clubs

### MAIN FEATURES

- Digital bi-amped amplifier with 1400 Watt peak power
- 90° x 30° directivity (+5°, -25°)
- 3 x 10" neo woofer
- 1.4" compression neo driver, 3.0" voice coil with a waveguide
- DSP Processing with optimized phase response
- Scalable
- Easy to fly and install with built-in rigging points

### ACOUSTICAL SPECIFICATIONS

Frequency response:	45 Hz ÷ 20000 Hz
Max SPL:	134 dB
Horizontal coverage angle:	90°
Vertical coverage angle:	30°
Compression driver:	1.4" neo, 3.0" v.c.
Woofers:	3 x 10" neo, 2.5" v.c.

### INPUT SECTION

Input signal (Impedance):	bal/unbal
Input/Output connector:	XRL, Jack
Input sensitivity:	-2 dBu / + 4 dBu

### PROCESSOR SECTION

Crossover frequencies:	800 Hz
Protections:	Thermal, RMS
Limiter:	soft limiter
Controls:	Volume, EQ Shape, Mic/ Line

### AMPLIFIER

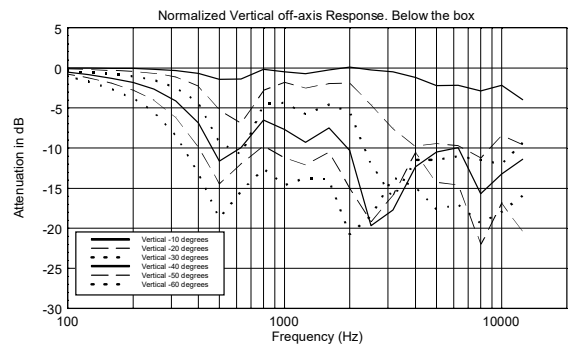
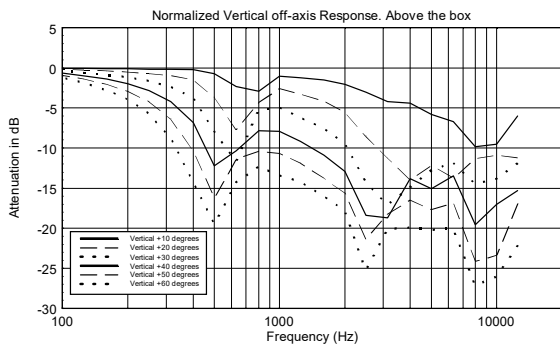
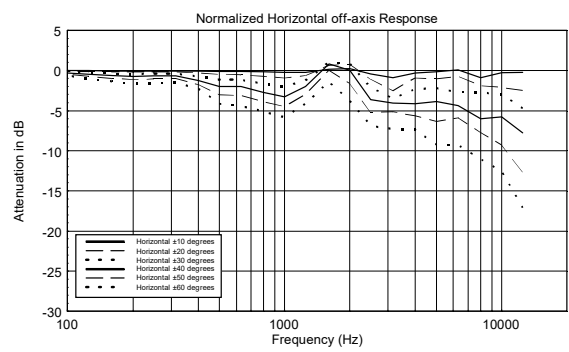
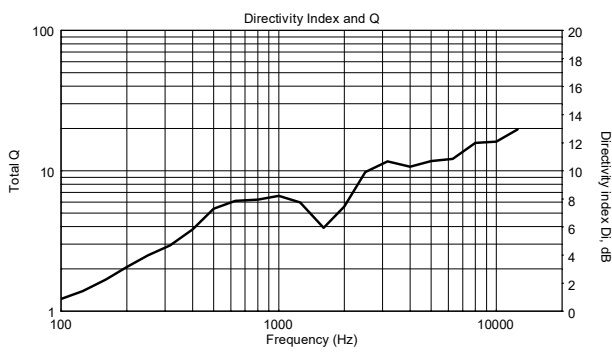
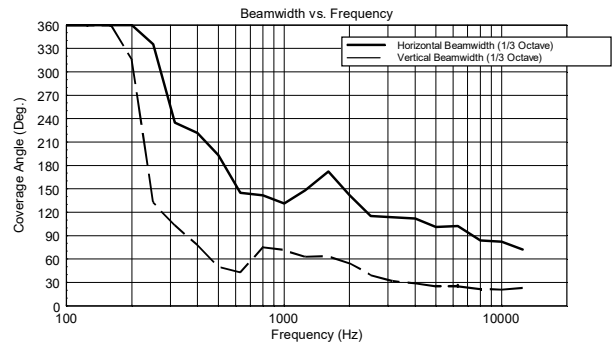
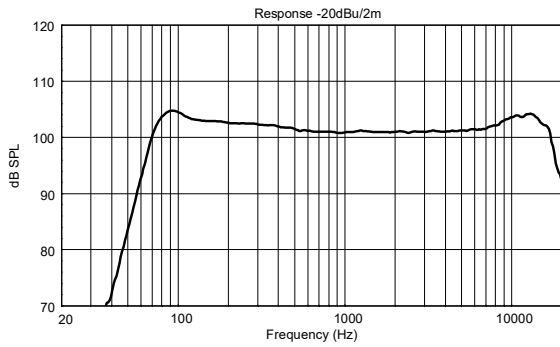
Total Power:	1400 W Peak, 700 W RMS
High frequencies:	400 W Peak, 200 W RMS
Low frequencies:	1000 W Peak, 500 W RMS
Cooling:	Convection
Connection:	Powercon in-out

### PHYSICAL

Height:	1198 mm / 47.17 inches
Width:	303 mm / 11.93 inches
Depth:	402 mm / 15.83 inches
Weight:	34.5 kg (76 lbs)
Cabinet:	Baltic Birch Plywood
Hardware:	4 x M8, 4 x quick lock, 2 x pole mount
Handles:	2 side
Pole mount cap:	yes
Colour:	Black

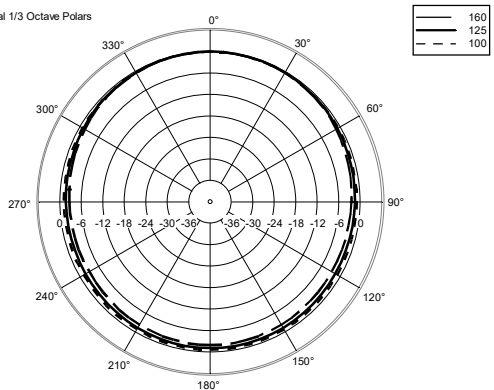


# NX L44-A

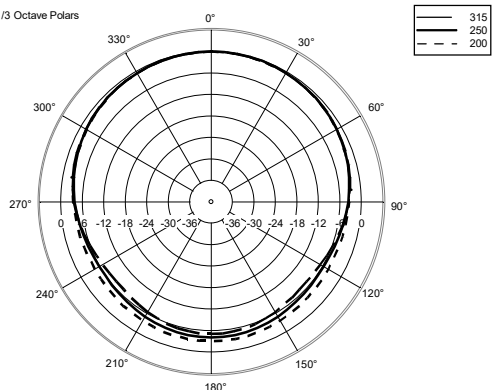


# NX L44-A

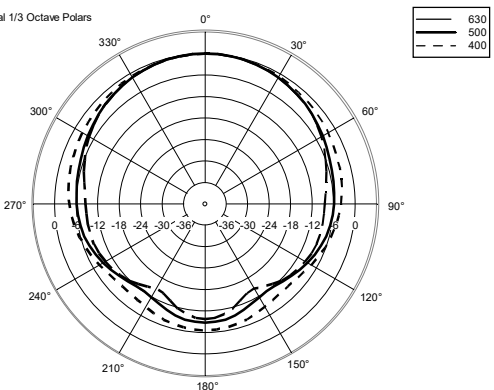
Horizontal 1/3 Octave Polars



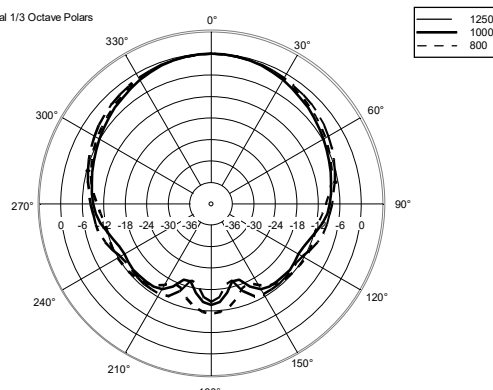
Horizontal 1/3 Octave Polars



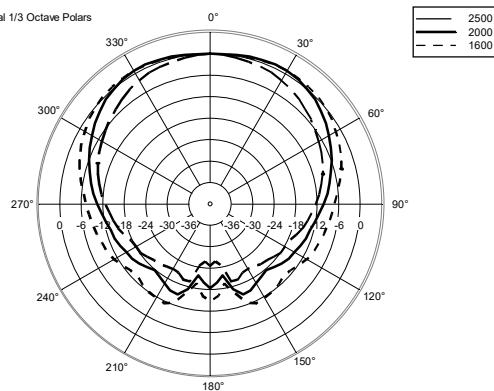
Horizontal 1/3 Octave Polars



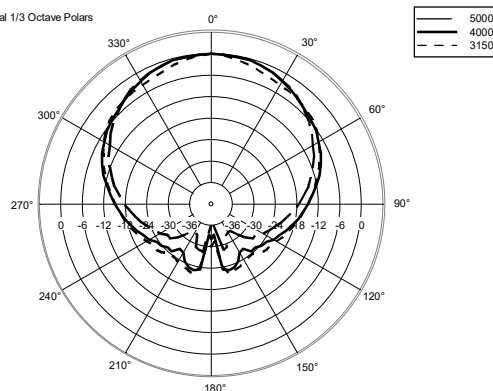
Horizontal 1/3 Octave Polars



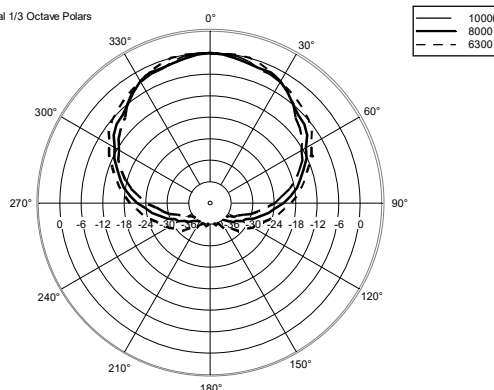
Horizontal 1/3 Octave Polars



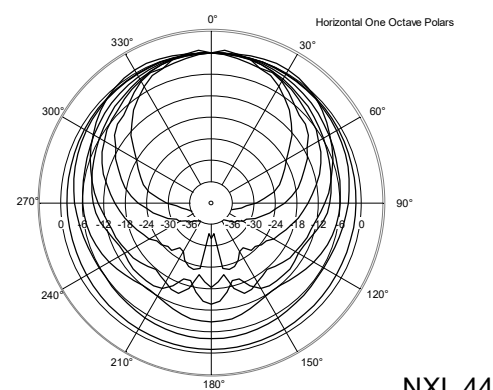
Horizontal 1/3 Octave Polars



Horizontal 1/3 Octave Polars



Horizontal One Octave Polars



NXL 44



# NX L44-A

## PART NUMBERS

13000479 (230V)

13000480 (115V)

## DIMENSIONS (All data are in mm)

