

SUB 8003-AS II

ACTIVE SUBWOOFER



DESCRIPTION

The SUB 8003-AS II active subwoofer features the latest generation of RCF woofer technology, digital amplifiers and DSP processing with higher power and enhanced performance. It offers the perfect blend of bass reproduction, high SPL and compact dimensions for mobile use by bands and DJs.

MAIN APPLICATIONS

- Touring sound reinforcement for small and mid-sized venues
- Portable and installed audio-visual systems
- Theatres and night clubs
- Stage monitor side fill reinforcement

MAIN FEATURES

- 2200 W
- 135 dB max SPL
- 35 Hz - 120 Hz frequency response
- 18" Woofer, 4.0" v.c.
- Selectable gain, X-over and delay
- Birch tour grade cabinet
- Stereo XLR input, Stereo XLR signal output

ACOUSTICAL SPECIFICATIONS

Frequency response:	35 Hz ÷ 120 Hz
Max SPL:	133 dB
Woofer:	18", 4.0" v.c

INPUT/OUTPUT SECTION

Input/Output connector:	XLR
Input sensitivity:	-2 dBu/+4 dBu

PROCESSOR SECTION

Crossover frequencies:	Selectable
Protections:	thermal, rms
Controls:	Gain, EQ, Phase, Xover, Delay, Cardioid

AMPLIFIER

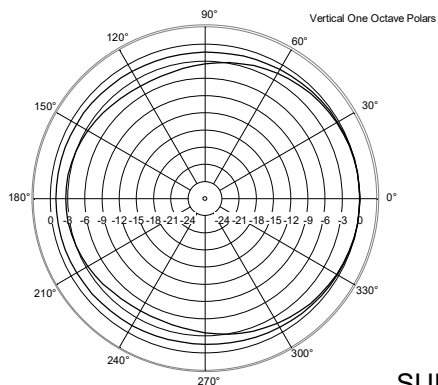
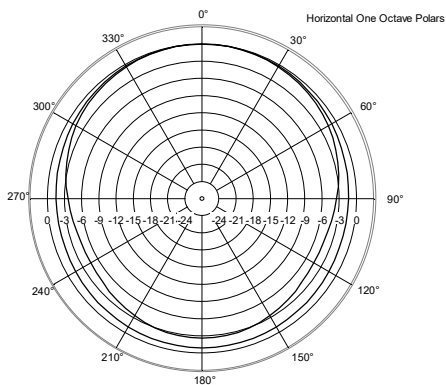
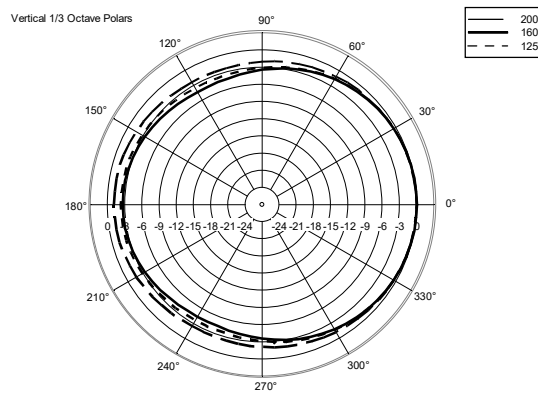
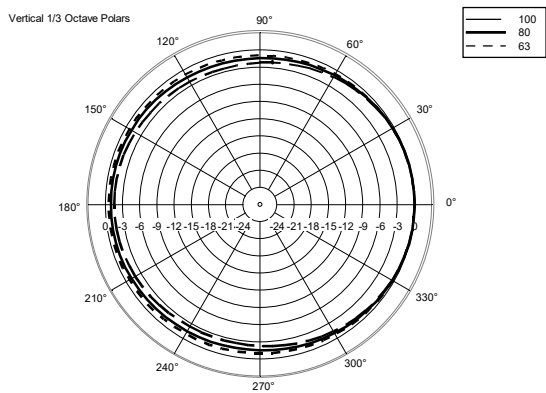
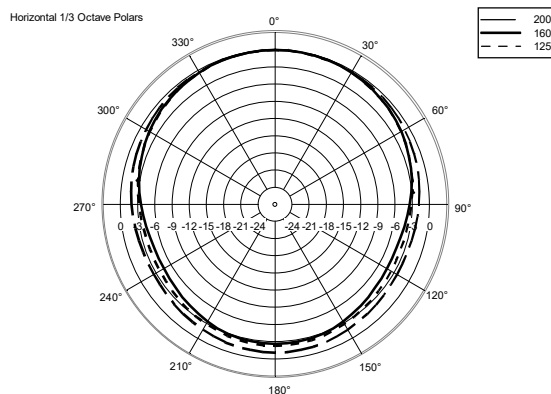
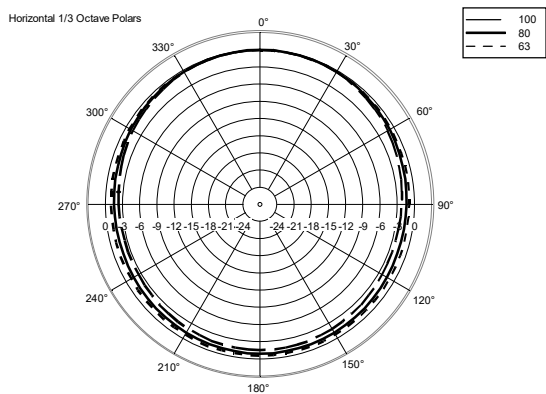
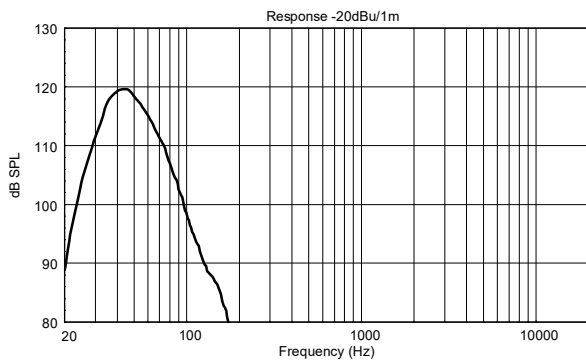
Total Power:	2200 W Peak, 1100 W RMS
Low Frequencies:	2200 W Peak, 1100 W RMS
Cooling:	Convection
Connection:	Powercon in-out

PHYSICAL

Height:	694 mm / 27.32 inches
Width:	523 mm / 20.59 inches
Depth:	700 mm / 27.56 inches
Weight:	45 kg / 99.21 lbs
Cabinet:	Baltic Birch Plywood
Handles:	2 side
Colour:	Black



SUB 8003-AS II



SUB8003-AS II



SUB 8003-AS II

PART NUMBER

13000432 (230V)

13000433 (115V)

DIMENSIONS (All data are in mm)

